

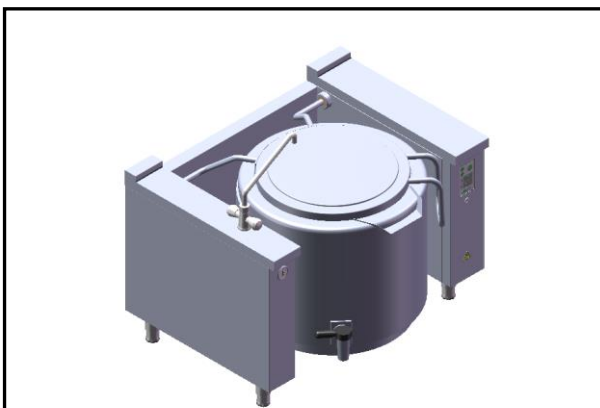


Total Food-Service Solutions

## Modular Cooking –Tilting & Boiling Pan

### Electric Indirect Boiling Pan

#### NEBP 150 TC TA IND



\*Due to routine technical improvement, the photograph shown may not represent the latest design of the products.

#### AVAILABLE MODEL

1. NEBP 150 TC TA IND

#### DESCRIPTION

Electric Boiling Pan Indirect with 27 kW power rate. 150 liter kettle capacity. Liquid temperature maintained by thermostat with maximum working temperature of 105°C. Featuring removable clip joint to connect between multiple Tilting Boiling Pans family.

ITEM# : \_\_\_\_\_

MODEL# : \_\_\_\_\_

NAME : \_\_\_\_\_

SN : \_\_\_\_\_

#### MAIN FEATURE

- Maximum working temperature of 105°C.
- Maximum Working Pressure 0.55 bar.
- Electronic touch control of time, energy and temperature.
- Quick Boiling Pan, in accordance with DIN 18855-1
- Indirect Heating with double jacket for more uniform heating and efficient energy.
- Frontal manometer display.
- Gas spring closing/opening of lid.
- Service maintenance can be done from the front panel.
- Water knob and faucet to refill hot or cold water in the pan Included.
- Double layered lid with seamless welding.

#### CONSTRUCTION

- All exterior panels in 304 type of Stainless Steel
- Orbital top panel anti-scratch finishing.
- 2 mm SS 304 Boiling Pan inner sleeve with level indicator.
- 2 mm SS 316 Boiling Pan inner bottom.
- United Internal Frame with 3.0 mm of SS 304.
- Top panel with 2.0 mm of SS 304.
- Side panel with 1.0 mm of SS 304.
- Adjustable ±25 mm Stainless Steel leg.
- IPX5 protection.

#### INCLUDED ACCESSORIES

- 1 Bar Manometer.

#### OPTIONAL ACCESSORIES

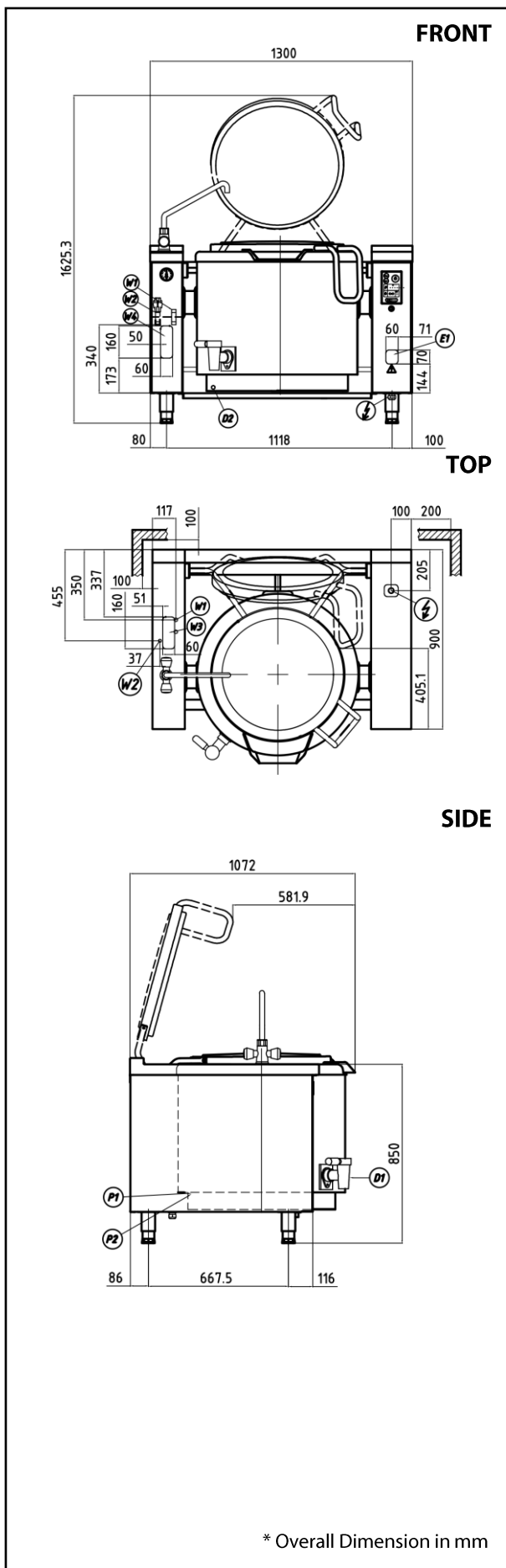
- Volume measuring stick.
- Drain cock filter.
- Plinth.

: \_\_\_\_\_

The company reserves the right to make modifications to the products without prior notice. All information correct at time of printing.

2018.07.25





**ELECTRIC**

Electrical rating (kW)	:	27
Element rating (kW)	:	27
Electrical supply voltage	:	400V 3N
Required electrical supply (amps):		41
Electrical current split (amps) :		L1: 41
		L2: 41
		L3: 41

**KEY INFORMATION**

Cooking surface	:	Ø 630 mm
Min. working temperature	:	-
Max. working temperature	:	100°C
Direct heat emission	:	0.95 kW
Latent heat emission	:	5.40 kW
Steam emission	:	7.94 kg / h
Water inlet	:	1/2"
Drain connection	:	2"
Volume distilled water	:	± 40 liters
Pan capacity	:	150 liters
Safety pressure	:	0.6 bar
Working pressure	:	0.5 bar
Net weight	:	300 kg
Gross weight	:	435 kg
Shipping height	:	
Shipping width	:	
Shipping depth	:	
Shipping volume	:	

\* Overall Dimension in mm